

August 2000



Knox & District Woodworkers Club

45 Glenfern Road, Ferntree Gully 3156

Web Site: <http://www.alchester.com.au/kdwc>



Reg Assoc. AOO17617S

President's Report

Our guest speaker for the July Meeting was Club Member and well known and talented Chainsaw Sculptor, Kevin Gilders, who gave a very interesting slide presentation of some of his carvings, from early days to the present time. He told us how, on a recent trip to USA and Canada, he carved a wooden feather with a chain saw. He also showed slides of some items he had turned; outstanding, in both craftsmanship and time consumed, were the various copies of Band Instruments. Thank you Kevin, it was much appreciated.

We had a very good turn up for the Working Bee. 23 Members signed the book, 'I don't know how many did not! Thank you all; it certainly tidied the place up. However, would Members please ask before dumping logs and tree limbs that we do not require at the Club.

Included in this months News Letter is a raffle ticket from the Council of Victorian Woodwork Clubs, to which we are affiliated. The Club will receive half the money raised through tickets sold by Members, so please buy a ticket and return the Ticket Butt and the money to a Committee Member, before September. We do have more tickets if you need them.

Don't forget the August Meeting will be held on Tuesday, 1st August for this month only, with a Demonstration of Picture Framing.

Also, note that Sunday, 13th August is the date this year's 'Be-in-It' Competition. It will include Afternoon Tea, so please bring a plate if you are able.

The 'Stringybark Festival' this year, will take place on Saturday, October 21st and Sunday, October 22nd, at the same location as in past years.

Thank you to all those Members who have helped with the Club projects and to those, also, who helped the Craft Section of Amaroo Hostel.

Here's to Safe Woodworking !

David Howell

President

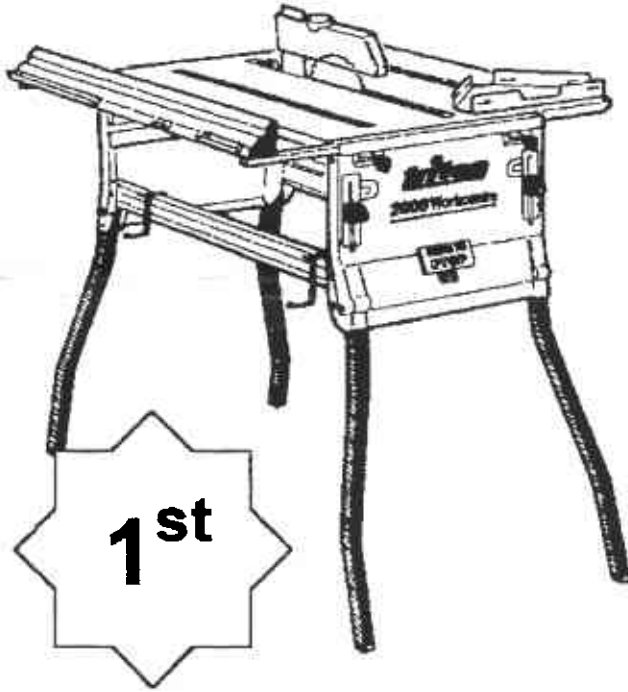
Note !

The Warrigul Woodworking Club will be visiting us on Thursday, September 14th.

The proposed visit to the Makita factory will be on a Thursday, in September, either 14th, 21st or 28th. Our preference will be for the first option.

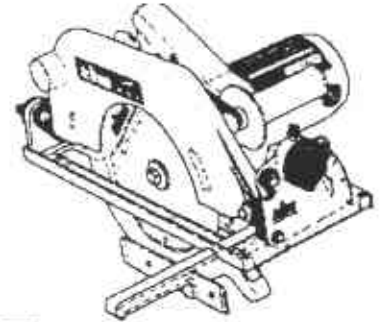
14 Prizes

Woodies 2000 Raffle.



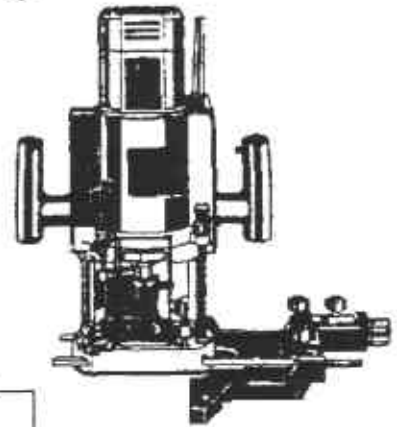
1st

Triton 2000 Work Centre



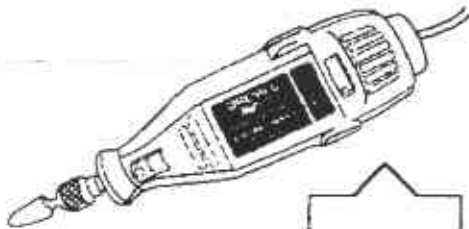
2nd

Triton TSA001
235mm Power Saw



3rd

Bosh GOF 1300 ACE
Router



Dremel 3950

4th

ARBORTECH

Minigrinder

5th

Over \$2000 in prizes

Organised by:

THE COUNCIL OF VICTORIAN WOODWORK CLUBS INC No A0036694

Executive Committee 1999/2000

President	David Howell	9874 6757
Vice President	Peter Sleeman	9758 1390
Secretary	Fred Moore	9758 2207
Acting Treasurer.....	Doug Dell	9729 1886
Committee Member .	Bruce Allen	9754 5774

General Meetings

1st Wednesday of each Month, commencing at 7.30 pm

Workshop Hours

Monday	6.30 pm - 8.30 pm	Bill Longden	8758 2438
Tuesday	10.00 am - 3.00 pm	Peter Sleeman	9758 1390
	6.30 pm - 8.30 pm	Bruce Allen	9754 5774
Wednesday	10.00 am - 3.00 pm	Peter Sleeman	9758 1390
	6.30 pm - 8.30 pm	David Howell	9874 6757
Thursday	10.00 am - 3.00 pm	Paul Aminde	9758 1733
Friday	6.30 pm - 8.30 pm	Bruce Allen	9754 5774
Saturday	Enquire on day	Reinier Lolkelma	9754 4567

Newsletter Editor

Tom Coghlan 9801 8498

August General Meeting
Tuesday/ 1st August/ 2000
Picture Framing