

INGRAINED

Volume 11

Web Site: <http://www.alchester.com.au/kdwc>

May 1999



75 Glenfern Road, Ferntree Gully 3156

PRESIDENT'S REPORT

Welcome to the May Newsletter and my report for the last month.

At the April meeting a motion put forward by Jim Deveney, that the Club Rooms be known as the "Alf Stephens Club Rooms", was moved by Fred Moore in the absence of Jim at the meeting. The motion was carried with acclamation.

A slab of timber, 2 meters by ½ meter has been kindly donated by Ken Hansen to be carved into a Name Plaque by members and placed on the outside of the Club building.

The committee would like some input from members as to the design to go on the plaque. Sergio Millak suggested we contact Hamish Hill, a well-known woodworker and sculptor, who knew Alf from way back. Hamish felt he would be pleased to have some input. So please submit your ideas on paper but remember you have to carve them.

I would like to thank Peter Sleeman for organizing the trip to the Berwick Club on the 18th of April. The members who attended had a great day and the standard of work displayed by Berwick members was excellent along with the exchange of hints and ideas between the clubs. "That is what it's all about". Thank you "Berwick".

Knox council has sent us a "thank you" letter for our participation in the Knox Festival and they look forward to seeing us at future Festivals.

Members visiting the clubrooms over the last couple of weeks may have noticed a sample or two "folding chairs". We would like to make 40 – 50 of these seats as a Club project. The plastic chairs we have had the use of for the past eight years are getting the worse for wear. We would like donations of dry hardwood, new or second hand:- 2x1, 3x1½, 4x2 etc and over 2 foot long, without nails.

I must also thank Bill Longdey for his donation of a 50-year-old Rocking Horse that was made in N.S.W and in good condition for its age. Bill is going to recondition it for the club, "thanks Bill".

Dave Howell – Club President.

KDWC & Anzac Day

The Club premises were of course closed on Anzac Day, Sunday, April 25th; the last parade of this millenium; but even so we were well represented on the march by our contingent of Vietnam Veterans :-

Paul Curran, Len Stephens and Earl Webb. They were also joined by John Clarke and Fred Moore, who, although not Vietnam Veterans, are members of their Association.

The day was ideal for this Annual Ceremony and the crowd that gathered, a record number, including many youngsters, witnessed a moving ceremony befitting this occasion, which farewelled the nation's involvement in twentieth century armed conflict, with a hope that the new millenium would issue in an International commitment to banish war between nations and national bodies in dispute.

BUY/ SELL/ SWAP

FOR SALE

TWO WINDOW SASHES COMPLETE WITH "LEADLIGHTS".

\$40.00 EACH

CONTACT:- DAVID HOWELL 9874 6757

DAMAGE TO CLUB PROPERTY

At the club we have a continual problem of club equipment being damaged or stolen. A problem that effects us all, as replacement and repair costs come out of our club funds - not to mention the inconvenience of something not being available for use.

This week we have had two pieces of equipment broken. Firstly, on the small band saw.

The bottom guides have been removed, causing a potential safety hazard to the next person using the band saw. Secondly, one of the lathes had a problem in the adjusting belts and in trying to fix the problem the sanding disk on the end of the lathe was damaged.

If a problem does occur whilst you are using the equipment, please let the key holder know so as a repair can be organised. *DO NOT* leave it for the next person to discover because the *NEXT PERSON* may get injured. This is a serious subject and cannot be brushed aside.

PLEASE GIVE IT YOUR SERIOUS ATTENTION.

NEXT GENERAL MEETING-GUEST SPEAKER

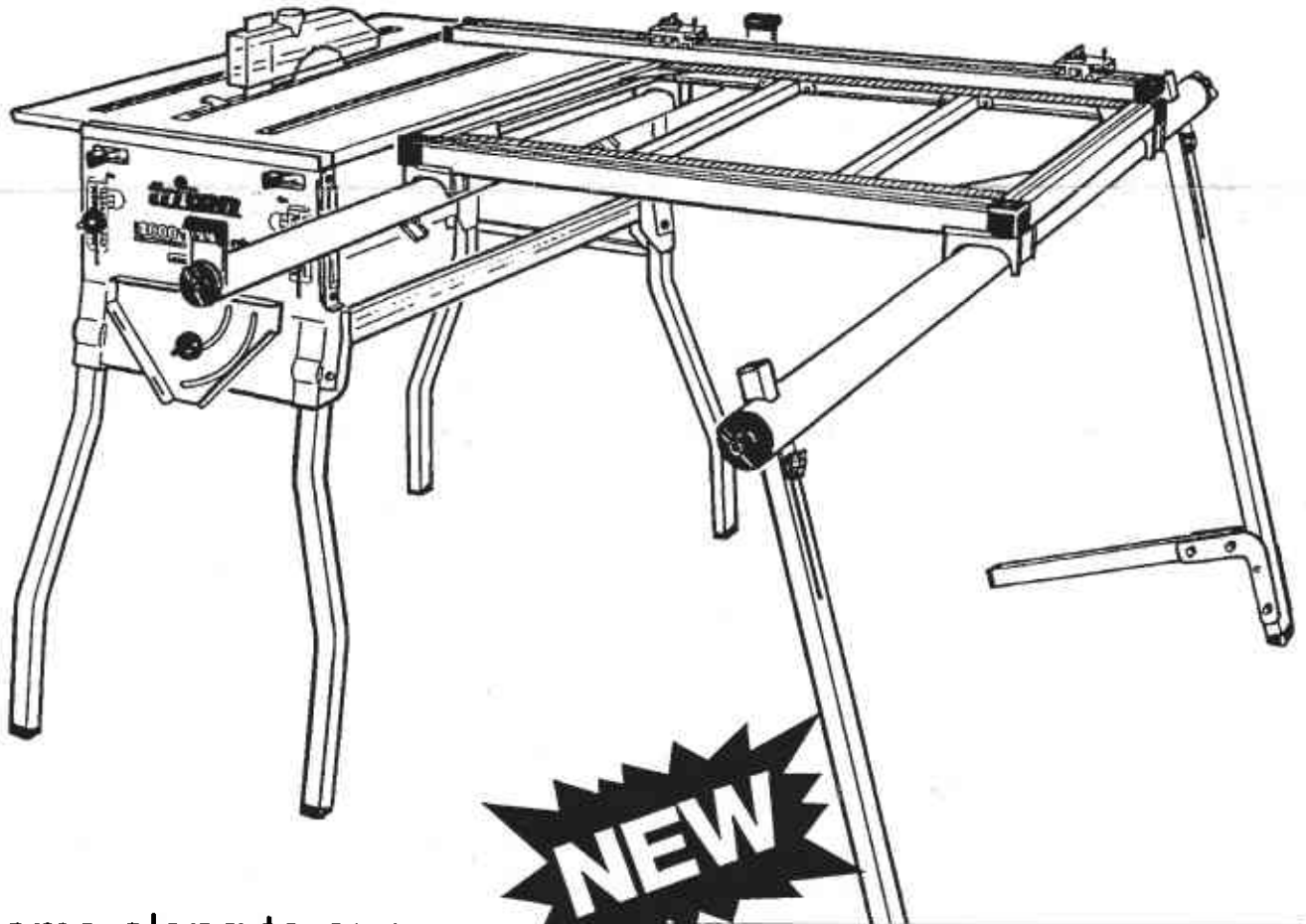
Our guest speaker at our June meeting will be a representative from St Johns Ambulance.

This will be a vital run down on general First Aid which is a must for all members who are using club equipment and power tools.

triton

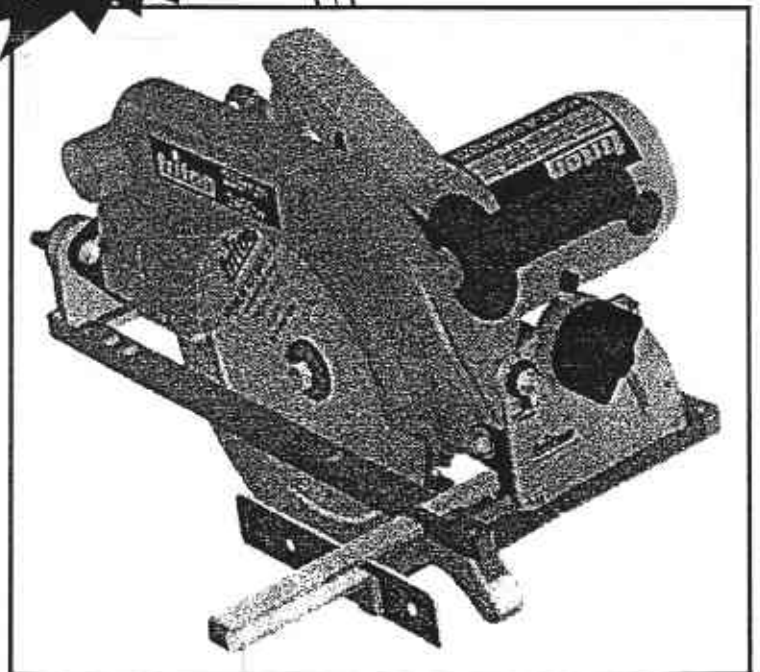
DEMONSTRATION

Don't miss this opportunity!!!



NEW

Come along to our next club meeting to see demonstrations on the Triton Series 2000 Workcentre and amazing range of accessories. We'll also be talking about the advanced features of Triton's soon to be released 235mm Precision Power Saw.



8th – 9th May

Cooroora Woodworkers Club Inc

WOODWORK

& CRAFT FESTIVAL

MEMORIAL HALL COOROY

Maple Street, Cooroy. Qld.

EXHIBITION, SALES & DEMO'S
of all forms of woodwork & other crafts

Includes:

OPEN WOODWORK COMPETITION

for more info or entry forms ph/fax:

07 **5447 6438**

21st - 23rd May

BRISBANE

TIMBER & WORKING

WITH WOOD SHOW

RNAIA SHOWGROUNDS

Everything for the woodworker

Tools, machinery, timber, sales, etc

Enquiries to: 02 **9712 5623**

Northern Rivers Woodcraft Group

BEEF WEEK EXHIBITION

Mon 24th - Sun 30th May

CASINO BASKETBALL STADIUM

Exhibition Sales & Demo's etc

02 **6624 1089**

COMING UP SHORTLY!

**A NIGHT OUT FOR MEMBERS &
FAMILY/FRIENDS**

Janice Mc Ritchie is in the process of inquiring about an evening out to a local restaurant, probably on a Saturday night in June, so.....

WATCH THIS SPACE!

Any queries, ring Janice: 9738-0130

Or Jan: 9762-1063

29th – 30th May

WOODTURNERS BENDIGO INC

BENDIGO NATIONAL WOODTURNERS

Prince of Wales showgrounds Bendigo

This inaugural event will feature everything imaginable for the woodworking enthusiast. Woodturning, carving, furniture, tools, machinery, timber, accessories, commercial & hobby supplies.

Enquiries to: Neil Cartledge, (secretary)

Phone: 03 **5442 3314**

This promises to be amongst the biggest & best woodworking events for 1999

CANCELLED

The members of Wm. Angliss Hospital F.T.Gully Aux., would like to invite any senior and interested drivers and their wives to a Road Safety Information and Video screening, By Mr. Bob George of R.A.C.V., to be held at -

The Masonic Hall, Station St., F.T.G., on

Tuesday 11 May 1999 at 2 p.m.

Afternoon tea will be served.

A small donation of a gold coin, to off-set costs would be appreciated.

Looking forward with pleasure to your company,

i remain,

Your sincerely,

Yvonne Howell

FOR THE GOLF ENTHUSIAST

In Africa, native tribes beat the ground with clubs and utter blood-curdling screams.
Anthropologists call it the release of primitive expression.
In Australia we call it golf.

A touring golf professional was having a drink at the clubs' bar when he was approached by a chap with a white cane and dark sun glasses, who introduced himself as a

golf champion. "I am champion of the Blind Golfers' Association and as one champion to another, I would like to challenge you to a match which would be a fundraiser for the blind". He said he didn't want any favours and told the pro he was keen to play for \$50.00 a hole.

The embarrassed pro tried to avoid the challenge but the blind man was so insistent he finally agreed. "Okay then, when will we play" he asked.

"Any night, any night at all" was the reply.

Two businessmen took time from the office to play a round of golf during their lunch break but were hampered by two women playing ahead who slowed them down. Finally one said, "listen Jack, I'll go and ask if they mind if we play through".

He had only gone a hundred meters before he turned and hurried back.

He was visibly shaken. "Jack, you wont believe this" he said,

"but the two womenOne is my wife and the other is my mistress.

Jack was a cool hand. "Listen Reg", he said. "Keep your head down while I approach them and we'll sneak past".

Jack had only gone one hundred meters when he turned back.

"Listen Reg", you won't believe this", he began.

They were leaning on the bar at the 19th, when Fred produced a golf ball from his pocket and proudly set it on the bar. "Have a look at this", he said to his mate, Charlie.

"It's a digital golf ball".

Indeed, the ball was a bright iridescent orange. It had a small antenna.

"It sends out beeps", explained Fred. Charlie was impressed.

"Where did you buy it"? he asked. "I didn't, said Fred. "I found it".

This middle-aged couple had played golf together for most of their married life. One night over their evening meal she mused – "If I die before you, will you get married again"?

Although he was absorbed in the evening newspaper, he muttered, "I guess so".

"Would you play golf with her"? "I guess so", he mumbled.

"Would you take her to our club". "I guess so", he said.

"Surely you wouldn't let her use my clubs"?

"No, of course not, anyway she's left-handed"!

How to know you're growing older:

Everything hurts, and what doesn't hurt doesn't work.

The gleam in your eyes is from the sun hitting your bifocals.

You feel like the night before, and you haven't been anywhere.

Your little black book contains only names ending in M.D.

You get winded playing chess.

Your children begin to look middle-aged.

You finally reach the top of the ladder, and you find it leaning against the wrong wall.

You join a health club and don't go.

You begin to outlive enthusiasm.

You decide to procrastinate but never get around to it.

Your mind makes contracts your body can't meet.

A dripping faucet causes uncontrollable bladder urge.

You know all the answers, but nobody asks you the questions.

You look forward to a dull evening.

You walk with your head held high trying to get used to your bifocals.

Your favorite part of the newspaper is *Twenty-Five Years Ago Today*.

You turn out the light for economic rather than romantic reasons.

You sit in a rocking chair and can't get it going.

Your knees buckle but your belt won't.

You regret all those temptations you resisted.

You're 17 around the neck, 44 around the waist, and 105 around the golf course.

You stop looking forward to your next birthday.

After painting the town red, you have to take a long rest before applying a second coat.

Dialing long distance wears you out.

You are startled the first time someone calls you Old-Timer.

You remember today that yesterday was your wedding anniversary.

You just can't stand people who are intolerant.

The best part of your day is over when the alarm clock goes off.

You burn the midnight oil after 9:00 p.m.

Your back goes out more often than you do.

A fortune teller offers to read your face.

Your pacemaker makes the garage door go up when you watch a pretty girl walk by.

The little old gray-haired lady you help across the street is your wife.

You get all your exercise being pallbearer for your friends who exercise.

You've got too much room in the house and not enough room in the medicine cabinet.

You sink your teeth into a steak and they stay there.

Executive Committee 1998/9

President	David Howell	9874 6757
Vice President	Peter Sleeman	9758 1390
Secretary	Fred Moore	9758 2207
Treasurer	Dick Kors	9729 1224
Committee Member ..	Bruce Allen	9754 5774
Committee Member ..	Jannine Brown	9762 1063

General Meetings

1st Wednesday of each month, commencing at 7 pm

Workshop Hours

RILL LONGDEN, 9758.2438

Monday	6.30 pm - 8.30 pm	Paddy McCann	9801 0704
Tuesday	10.30 am - 3.00 pm	Paul Philips	9762 3829
	6.30 pm - 8.30 pm	Bruce Allen	9754 5774
Wednesday	10.30 am - 3.00 pm	Peter Sleeman	9758 1390
	6.30 pm - 8.30 pm	David Howell	9874 6757
Thursday	10.30 am - 3.00 pm	Paul Aminde	9758 1733
Friday	6.30 pm - 8.30 pm	Bruce Allen	9754 5774

General Meetings for 1999

Wednesday, May 5th

Wednesday, June 2nd

Wednesday, July 7th

Wednesday, August 4th

AGM

Wednesday, September 1st

Wednesday, October 6th

Wednesday, November 3rd

Wednesday, December 1st